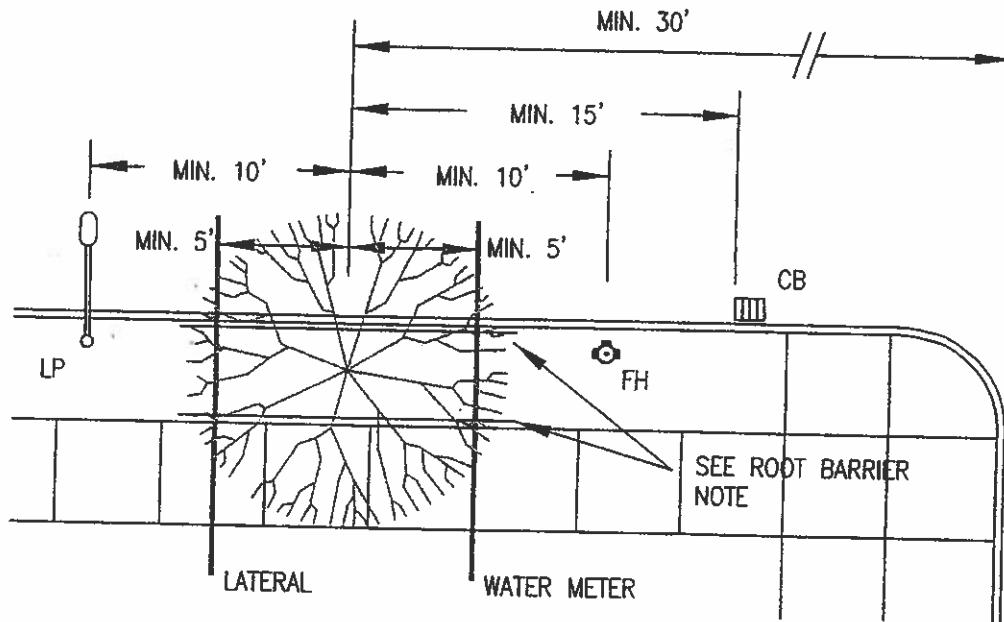


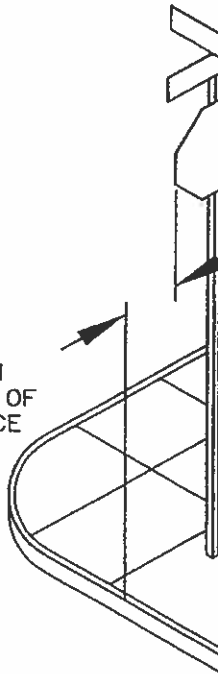
15.0' MINIMUM (OR PER AASHTO STANDARDS WHICHEVER IS GREATER) VERTICAL CLEARANCE MEASURED FROM DESIGN SURFACE ELEVATION (MEASURED FROM ALL POINTS BETWEEN CURB FACES).

SEE ROOT BARRIER NOTE

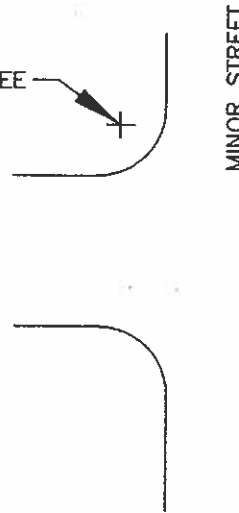
8.0' MINIMUM CLEARANCE



12" MINIMUM FROM EDGE OF SIGN TO FACE OF CURB



SIGN TREE



MINOR STREET

CROSS IN

NOTES:

1. 5' MINIMUM CLEARANCE FROM UNDERGROUND UTILITIES AND LATERALS. LANDSCAPE DESIGN OF TREES AND ENGINEERING DESIGN OF UNDERGROUND SERVICES SHALL BE COORDINATED.
2. TREES SHALL BE CENTERED BETWEEN CURB AND SIDEWALK.
3. CITY APPROVED ROOT BARRIER METHOD TO BE USED FOR ALL STREET TREE PLANTINGS.

NOTE:

1. SIGN LOCATIONS SHOWN

